

(12) **UK Patent Application** (19) **GB** (11) **2 238 660** (13) **A**

(43) Date of A publication **05.06.1991**

(21) Application No **9024722.2**

(22) Date of filing **14.11.1990**

(30) Priority data
 (31) **01297934** (32) **15.11.1989** (33) **JP**

(71) Applicant
Mitsubishi Denki Kabushiki Kaisha
 (Incorporated in Japan)
 2-3 Marunouchi 2-chome, Chiyodaku, Tokyo, Japan

(72) Inventors
Matsunaga Yoshihiro
Tadao Nishimori
Hiromasa Matsuoka
Kozo Shimamoto
Kiyoaki Tsumura

(74) Agent and/or Address for Service
Beresford & Co
 2-5 Warwick Court, High Holborn, London,
 WC1R 5DJ, United Kingdom

(51) INT CL⁵
H01L 23/29

(52) UK CL (Edition K)
H1K KPF K5A1 K5A5 K5B2 K5B4
C3K KJA K124 K127 K129 K250
C3W W327

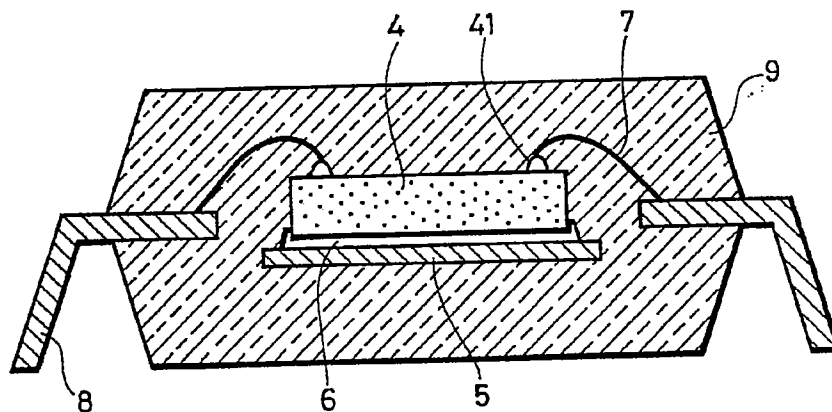
(56) Documents cited
GB 2095268 A GB 2087159 A GB 1549103 A
GB 1252601 A EP 0120981 A1

(58) Field of search
 UK CL (Edition K) **H1K KPF KQD**
 INT CL⁶ **H01L**
Online databases (WPI)

(54) **Resin-sealed semiconductor device**

(57) The semiconductor device comprises a semiconductor element 4, a lead 8, and a wire 7 electrically connecting the semiconductor element and the lead. The semiconductor element, the wire, and a portion of the lead are sealed in resin 9. Corrosion inhibitor selected from the group consisting of lead oxide, calcium hydroxide and zinc oxide is added into the sealing resin. Corrosion of the copper wire is suppressed even in high temperature environments.

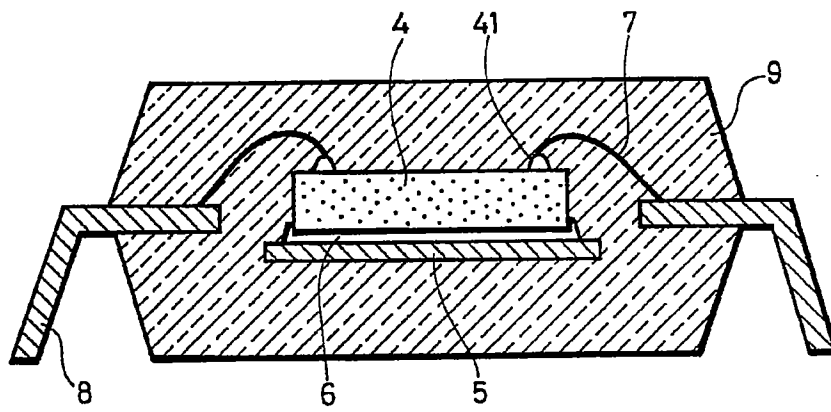
FIG.1



GB 2 238 660 A

1/3

FIG.1



2/3

FIG.2

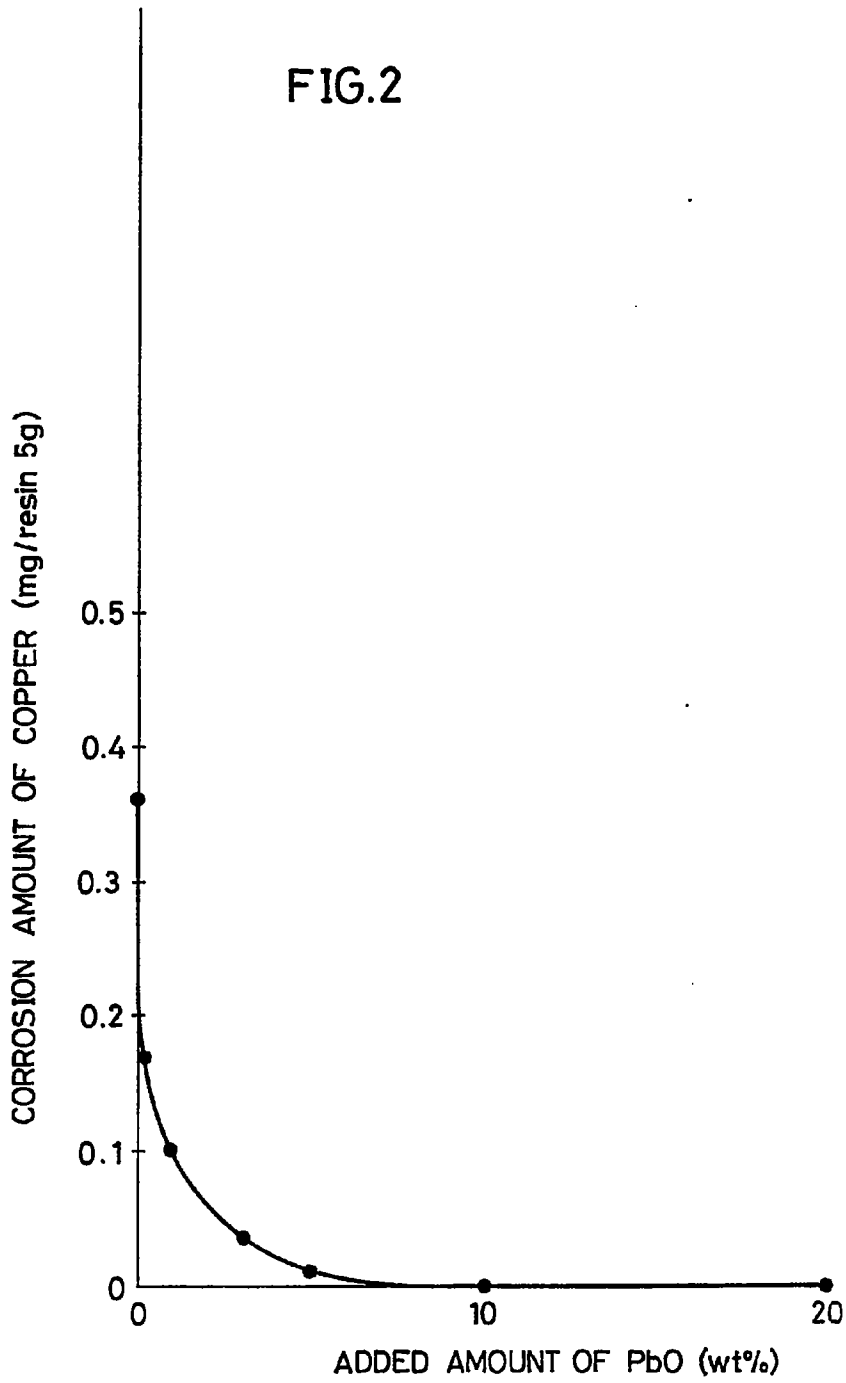


FIG.3

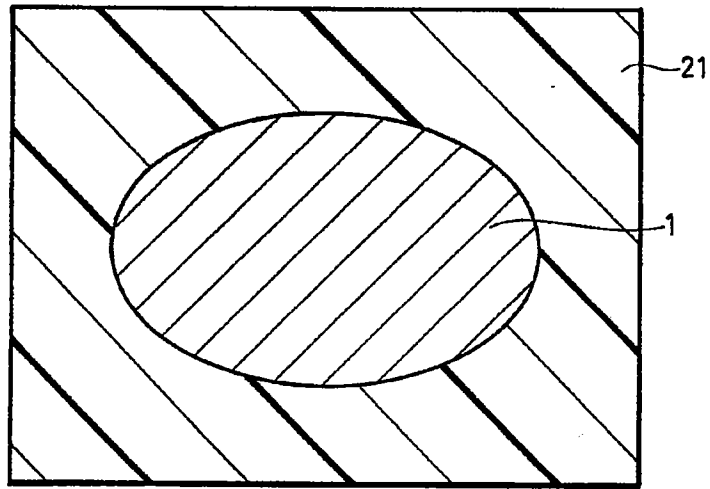
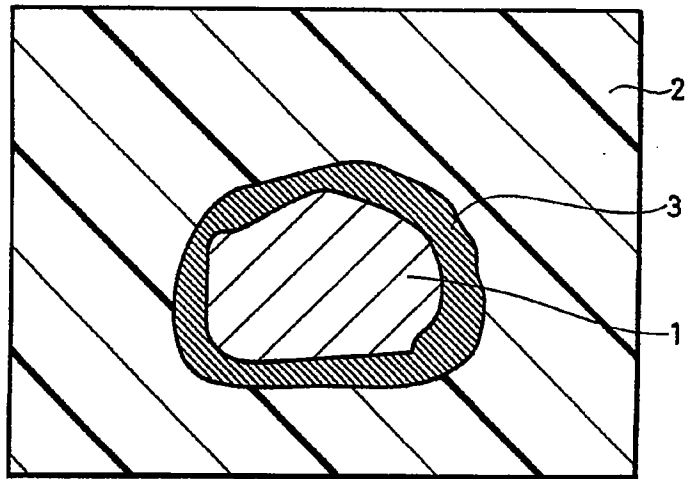


FIG.4



2238660

TITLE OF THE INVENTION

Resin-Sealed Semiconductor Device

BACKGROUND OF THE INVENTION

Field of the Invention

5 The present invention relates generally to semiconductor devices sealed with resin, and more particularly, to a resin-sealed semiconductor device improved so as to prevent corrosion of the copper wire connecting the semiconductor element and the lead.

10 Description of the Background Art

 Fig. 1 is a sectional view of a resin-sealed semiconductor device. A semiconductor element 4 is fixed onto dipad 5 by cement 6 such as of solder or resin. An aluminum electrode pad 41 is provided at a portion of semiconductor element 4. Lead 8 is disposed in the vicinity of semiconductor element 4. Lead 8 and aluminum electrode pad 41 are electrically connected by copper wire 7. Dipad 5, semiconductor element 4, copper wire 7, and one portion of lead 8 are sealed by an epoxy resin composition 9.

 A conventional resin-sealed semiconductor device with the aforementioned structure has the following problems. A gap is generated between epoxy resin composition 9 for sealing and lead 8. A gap is also generated at the interface between epoxy resin composition 9 and

25

semiconductor element 4. Through this gap, external moisture enters to corrode aluminum electrode pad 41 on semiconductor element 4 and copper wire 7. This corrosion causes deficiencies such as disconnection of copper wire

5 7.

The cause of this corrosion is said to result from the interaction of the above mentioned moisture and ionic impurities included in the resin, and the presence of organic acid included in the resin.

10 In a conventional resin-sealed type semiconductor device, epoxy resin composition superior in heat resistance and moisture resistance is used as the sealing agent. Chloride ion mixed in at the time of manufacturing, or bromine derived from the brominated

15 epoxy resin used as a flame retarder is included in the epoxy resin. This halogen interacts with the moisture entering the sealing resin while diffusing to corrode the aluminum wire of the semiconductor device.

20 The organic acid in the sealing resin such as formic acid and acetic acid are known to corrode the aluminum wire.

Various methods have been proposed to suppress the above mentioned corrosion of aluminum wires.

25 Japanese Patent Laying-Open No. 60-38847 discloses a resin-sealed type semiconductor device in which the

concentration of organic acid ion such as formic acid and acetic acid is less than 20ppm. This is a proposal to prevent corrosion of aluminum wire by decreasing the organic acid ions in the resin.

5 Japanese Patent Laying-Open No. 60-80259 discloses a semiconductor device sealed with a resin composition including polyfunctional epoxy compound and molybdate.

Japanese Patent Laying-Open No. 60-84322 discloses a resin composition including polyfunctional epoxy compound and biphenyl tetracarboxylic acid anhydride for sealing
10 semiconductors.

Japanese Patent Laying-Open No. 62-150860 discloses a semiconductor device having the semiconductor element and lead wires coated by a material including a certain
15 organic phosphate or amine type compounds.

Japanese Patent Laying-Open No. 62-207319 discloses flame retarding epoxy resin composition including bismuth type inorganic ion-exchanger and brominated epoxy resin for sealing the semiconductor device.

20 Japanese Patent Laying-Open No. 62-285912 discloses a resin composition including ion catcher which captures halogen ions, alkali metal ions, and organic acid ions for sealing the semiconductor.

Japanese Patent Laying-Open No. 63-17925 discloses an
25 epoxy resin composition including silver salt of organic

acid and/or lead salt of organic acid for sealing the semiconductor.

Japanese Patent Laying-Open No. 61-19625 discloses an epoxy resin composition adding hydrotalcite type compound
5 for sealing the semiconductor.

Japanese Patent Laying-Open No. 60-190453 discloses a resin composition including ferric acid, zirconic acid, titanic acid, and hydrated bismuth trioxide acid for sealing the semiconductor.

10 All the above mentioned prior art achieves the suppression of aluminum wire corrosion in relatively low temperature, and suppression regarding the occurrence of aluminum wire corrosion in an environment of high temperature is not mentioned anywhere.

15 Because a semiconductor device generates heat when used, the temperature of the entire device rises. This rise in temperature has a great effect on the reliability of the semiconductor device. Because gold wire was used as the lead in conventional semiconductor devices, there
20 was no corrosion in the gold wire and at the junction of the gold wire and the aluminum electrode pad even in an environment of high temperature. Hence, there was no inconvenience. However, when more economical copper wire is used instead of gold wire, the problem of corrosion in
25 the copper wire occurs at high temperatures (170-220 °C).

SUMMARY OF THE INVENTION

In view of the foregoing, an object of the present invention is to provide a resin-sealed semiconductor device superior in heat resistance and moisture resistance in an environment of high temperature.

Another object of the present invention is to provide a resin-sealed type semiconductor device improved so that there is no corrosion in the wire electrically connecting the semiconductor element and the lead in a high temperature environment.

A further object of the present invention is to provide a resin-sealed type semiconductor device improved so that the copper wire electrically connecting the semiconductor element and the lead does not corrode in a high temperature environment.

A still further object of the present invention is to provide a resin-sealed type semiconductor device improved so that the aluminum wire included in the semiconductor element does not corrode in a high temperature environment.

The present inventors continued the study for many years to solve the corrosion of the copper wire occurring when copper wire is used instead of gold wire in a resin-sealed type semiconductor device. The inventors made surveys of the cause of copper wire corrosion at high

temperature environment. They discovered that the sealing resin composition is oxidized by the oxygen in air to generate organic acid such as formic acid, acetic acid, and lactic acid, in addition to bromine in the flame retarder being liberated as free bromine. With organic acid acting as electrolytes, and chloride ions acting as an accelerator existing as free bromine and impurities, corrosion occurs in copper wire and at the junction of the copper wire and aluminum electrode. It was also appreciated that the corrosion of copper wire at high temperature environment could not be solved with the above mentioned prior art. From the foregoing, the inventors have completed the present invention.

The present invention is directed to an improved semiconductor device sealed with resin. The inventive device comprises a semiconductor element, a lead, a wire electrically connecting the semiconductor element and the lead, and a sealing resin for enclosing and sealing the semiconductor element, the wire and a portion of the lead.

For the purpose of solving the above mentioned problem, a corrosion inhibitor selected from the group consisting of lead oxide, calcium hydroxide, and zinc oxide is added in the sealing resin.

In accordance with a preferable embodiment of the present invention, the above mentioned corrosion inhibitor

is added 0.1 - 20% by weight into the sealing resin.

Although not verified, the acting effect of the present invention is considered as in the following. Lead oxide, calcium hydroxide, and zinc oxide added to the sealing resin reacted with the organic acid generated by oxidation from the sealing resin composition to become non electrolyte organic acid salt. Although copper has the catalysis to decompose and deteriorate flame retarding epoxy resin in the sealing resin, the deposited organic acid salt covers the surface of this copper. This suppresses the catalysis of copper to reduce free bromine. It is considered that the above mentioned reaction suppresses the corrosion of copper wire.

The foregoing and other objects, features, aspects and advantages of the present invention will become more apparent from the following detailed description of the present invention when taken in conjunction with the accompanying drawings

BRIEF DESCRIPTION OF THE DRAWINGS

Fig. 1 is a sectional view of a resin-sealed type semiconductor device wherein the present invention is applied.

Fig. 2 is a graph showing the relation between the added amount of lead oxide and the corrosion amount of copper.

Fig. 3 is a sectional view of a copper wire in a resin-sealed type semiconductor device in accordance with the embodiment of the present invention.

Fig. 4 is a sectional view of a copper wire in a conventional resin-sealed type semiconductor device.

DESCRIPTION OF THE PREFERRED EMBODIMENTS

The present invention will be explained with reference to embodiment examples and comparison examples.

Referring to Fig. 1, semiconductor element 4 is fixed above dipad 5 by cement 6 such as of solder or resin. A portion of semiconductor element 4 is provided with aluminum electrode pad 41. Lead 8 is disposed in the vicinity of semiconductor element 4. Lead 8 is formed of iron-nickel alloy or iron-copper alloy. Lead 8 and aluminum electrode pad 41 are electrically connected by copper wire 7. Dipad 5, semiconductor element 4, aluminum electrode pad 41, and a portion of lead 8 are sealed with epoxy resin composition 9. A corrosion inhibitor selected from the group consisting of lead oxide, calcium hydroxide, and zinc oxide is added to epoxy resin composition 9. Corrosion inhibitor is added 0.1 - 20% by weight into the sealing resin. Epoxy resin composition 9 includes cresol novolak epoxy resin as a formation material, phenol novolak resin as a hardening agent, and triphenyl phosphine as an hardening accelerator. The

hardening accelerator is added 0.3 ± 0.01% by weight in the epoxy resin.

Table 1 summarizes the compounding ratio of the epoxy resin composition.

Table 1

Items of Embodiment (Examples and Comparison Examples)	Embodiment Examples					Comparison Examples	
	I	II	III	IV	V	VI	VII
Cresol Novolak Resin	60	60	60	60	60	60	60
Phenol Novolak Resin	30	30	30	30	30	30	30
Triphenylphosphine	0.3	0.3	0.3	0.3	0.3	0.3	0.3
Lead Oxide	3	-	-	1.5	1	-	-
Calcium Hydroxide	-	3	-	1.5	1	-	-
Zinc Oxide	-	-	3	-	1	-	-
Bismuth Type Inorganic Ion-Exchanger	-	-	-	-	-	3	-
No Additives	-	-	-	-	-	-	-

5 Embodiments I-V have the type and added amount of the
corrosion inhibitor changed. A comparison example VII
indicates the case where the above corrosion inhibitor is
not added. Comparison example VII shows the case where
bismuth type inorganic ion-exchanger (Toagosei Chemical
10 Industry Co. Ltd.: IXE600) is added. The numeric values in
the table are all in weight percent.

Using the sealing resin composition of Table 1, the
model ICs using copper wire are formed by transfer

molding. These model ICs are placed in an electric furnace of atmospheric atmosphere for 96 hours at 220°C. After cooling, the sections of the model ICs are examined by a microscope to observe the corrosion in the copper wire, in the junction of the copper wire and aluminum pad, and in the aluminum wire within the semiconductor device. The corrosion amount is obtained by measuring the reduction in the wire diameter of the copper wire. Corrosion in the junction of the copper wire and the aluminum pad is obtained by measuring the length of the corrosion of the junction interface. Corrosion of the aluminum wire is observed as to whether there is disconnection or not. The results are shown in Table 2.

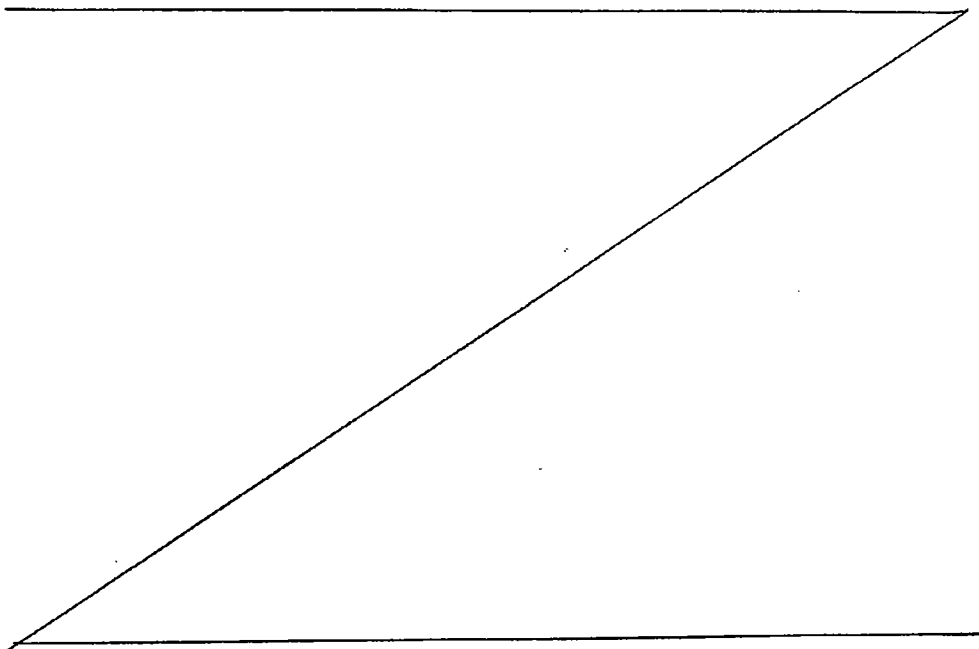


Table 2

Embodiment/ Comparison Examples	Corrosion in Copper Wire (μm)	Corrosion in Junction (μm)	Corrosion in Aluminum Wire	General Judgement 1)
I	Not more than 1	Not more than 10	No	●
II	Not more than 1	Not more than 10	No	●
III	Not more than 5	Not more than 15	No	O
IV	Not more than 1	Not more than 10	No	●
V	Not more than 1	Not more than 10	No	●
VI	Not more than 5	Not more than 25	No	O
VII	Not less than 14	Not less than 70	Yes	X

1) ● : Very Good O: Good X : Bad

Regarding the suppressing effect of corrosion, it is appreciated from Table 2 that embodiment examples I-V are superior to comparison example VII (conventional example). Furthermore, comparing embodiment examples I-V with comparison example VII, it is appreciated that the effect of corrosion suppression of embodiment examples I-V is equal or superior to that of bismuth type inorganic ion-exchanger. An examination has also been made where at least one type out of lead oxide, calcium hydroxide, and zinc oxide in the above mentioned epoxy resin has the contents varied in the range of 0.1 - 20% by weight. The

results were substantially similar to that of Table 2. In other words, these corrosion inhibitors are effective when added within the range of 0.1 - 20% by weight.

5 Fig. 2 is a graph showing the relation of the added amount (% by weight) of lead oxide added to the epoxy resin and the corrosion amount (mg/resin 5g) of copper. All the specimens are formed by transfer molding, followed by being placed in an electric furnace of atmospheric atmosphere for 48 hours at 200°C. Fig. 2 shows that
10 corrosion can be suppressed sufficiently with the added amount of lead oxide of not less than 0.1% by weight. Similar results were observed with calcium hydroxide and zinc oxide.

15 Fig. 3 is a diagram produced in accordance with a micrograph (at x100 magnification) of a section of the model IC according to embodiment example I. Fig. 4 is a diagram produced in accordance with a micrograph (at x100 magnification) of a section of the model IC according to comparison example VII. In these figures, reference
20 number 1 indicates copper wire, reference number 21 indicates epoxy resin having lead oxide added, reference number 2 indicates epoxy resin having no corrosion inhibitor added, and reference number 3 indicates the corrosion portion of the copper wire. Each specimen is
25 formed with the use of mold, followed by being placed in

an electric furnace of atmospheric atmosphere for 96 hours at approximately 220°C. In Fig. 3 where the sealing resin composition according to embodiment example I is used, corrosion of the copper wire was not observed. In Fig. 4
5 where a conventional type according to comparison example VII is used, the diameter of copper wire 1 is decreased, wherein a corrosion portion 3 of a maximum of 120 μm is observed.

As set forth throughout the foregoing description,
10 corrosion of the copper wire can be suppressed at high temperature environment, due to the fact that corrosion inhibitor selected from the group consisting of lead oxide, calcium hydroxide, and zinc oxide is added to the sealing resin in accordance with the present invention.
15 This results in an advantage that a resin-sealed type semiconductor device of high reliability is obtained.

Although the present invention has been described and illustrated in detail, it is clearly understood that the same is by way of illustration and example only and is not
20 to be taken by way of limitation, the spirit and scope of the present invention being limited only by the terms of the appended claims.

WHAT IS CLAIMED IS:

1. A semiconductor device sealed with resin,
comprising:
 - a semiconductor element,
 - a lead,
 - 5 a wire electrically connecting said semiconductor element and said lead, and
 - sealing resin for enclosing and sealing said semiconductor element, said wire, and a portion of said lead,
 - 10 wherein corrosion inhibitor selected from the group consisting of lead oxide, calcium hydroxide, and zinc oxide is added into said sealing resin.
2. The semiconductor device according to claim 1, wherein said corrosion inhibitor is added into said sealing resin 0.1 - 20% by weight.
3. The semiconductor device according to claim 1, wherein said wire comprises copper wire.
4. The semiconductor device according to claim 1, wherein said sealing resin comprises epoxy resin and hardening accelerator.

5. The semiconductor device according to claim 4,
wherein

said epoxy resin comprises cresol novolak epoxy resin
as a formation material, and phenol novolak resin as a
5 hardening agent, and

said hardening accelerator comprises triphenyl
phosphine.

6. The semiconductor device according to claim 1,
wherein

said semiconductor element comprises an aluminum
electrode pad, and

5 said wire is electrically connected to said
semiconductor element through said aluminum electrode pad.

7. A semiconductor device, as claimed in claim 1,
when constructed adapted and arranged to operate
substantially as described hereinbefore with reference to
and as shown in the accompanying drawings.

-16-

Amendments to the claims have been filed as follows

1. A semiconductor device sealed with resin,
comprising:
- 5 a semiconductor element,
- a lead,
- 10 a copper metal wire electrically connecting said
semiconductor element and said lead, and
- an epoxy sealing resin for enclosing and sealing said
semiconductor element, said wire, and a portion of
- 15 said lead,
- wherein a corrosion inhibitor selected from lead
oxide, calcium hydroxide, and zinc oxide is included
in said sealing resin.
- 20
2. A semiconductor device according to claim 1,
wherein said corrosion inhibitor is included in said
sealing resin in a proportion 0.1 - 20% by weight.

-17-

3. A semiconductor device according to either preceding claim wherein,

5 said epoxy resin is the product of a mixture of cresol novolak epoxy resin and phenol novolak resin with triphenyl phosphine hardner.

4. A semiconductor device according to any preceding claim wherein,

10

said semiconductor element comprises an aluminium electrode pad.

15 said wire is electrically connected to said semiconductor element through said aluminium electrode pad.

20 5. Use of lead oxide calcium hydroxide or zinc oxide as an additive incorporated in the encapsulated resin of an epoxy resin plastics encapsulated copper-wired semi-conductor device for the purpose of inhibiting erosion of the copper wire thereof.

25 6. A semiconductor device, as claimed in claim 1, when constructed adapted and arranged to operate substantially as described hereinbefore with

-18-

reference to and as shown in the accompanying drawings.